

SOIL REMOVAL SYSTEM ROMU 10B



M

Machinery manufactured in stainless steel following the best quality standards, providing the best finish and resistance.

M

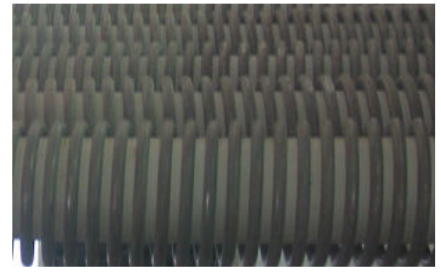
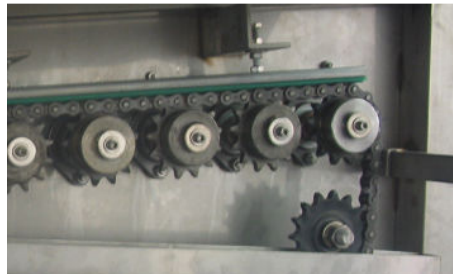
More than 80 types of machines for processing all types of vegetables such as potatoes, carrots and fruit, unique design. Do not settle for mere copies.

A

Aadjustable in length, width and height with numerous sizes and designs to always provide the right solution to your needs.

Q

Quality, design and efficiency in all our machines to extend their working life and make your work as easy as possible.



The **MARTIN MAQ Earth Elimination System ROMU 10B** is a machine that will dispose of earth on the product when it arrives from the field (potatoes, etc).

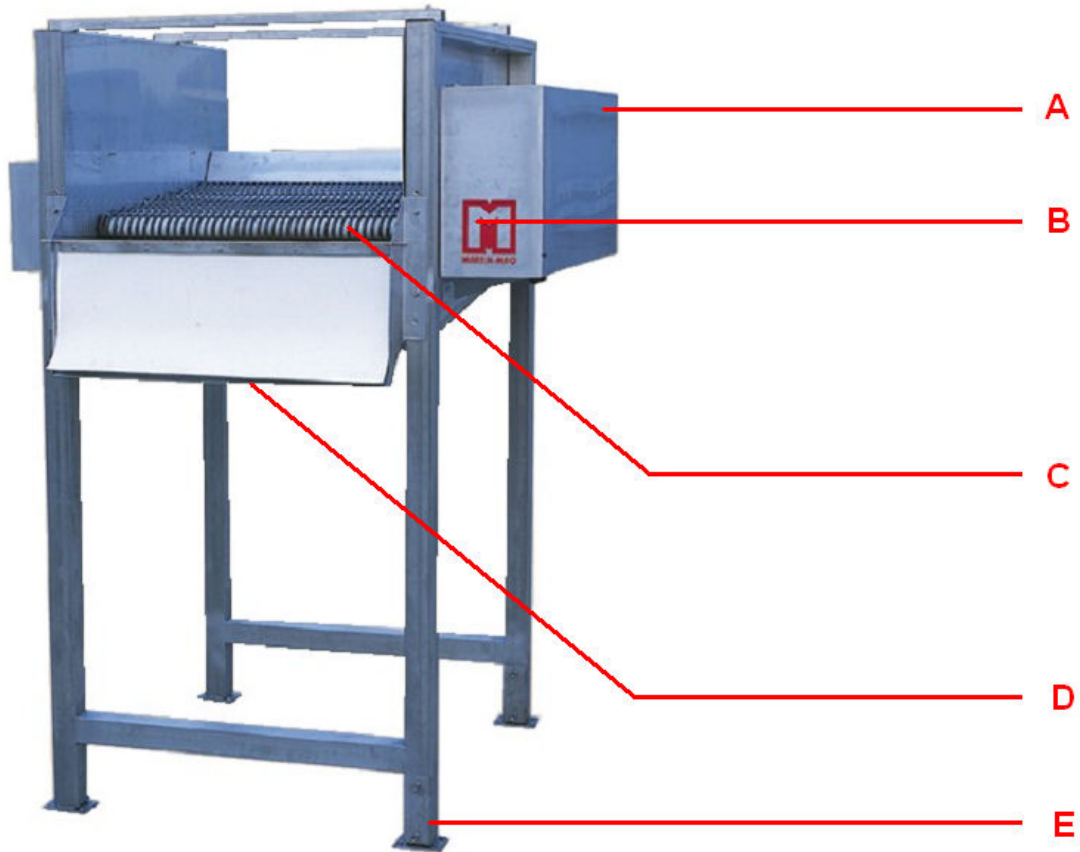
It is highly efficient when disposing of earth, without harming the product in any way.

It is very resistant (stainless steel) and has very low maintenance.

It can be supplied with a conveyor for collection of waste to dispose of it.



IMPORTANT PARTS OF THE MACHINE



- A:** Transmission system lock-gate for maintenance and protection.
- B:** Transmission system and chain.
- C:** Spiral shape rollers that improve earth removal.
- D:** Lower hopper to collect the earth (optional)
- E:** Adjustable legs.

TECHNICAL SPECIFICATION

Romu 10B	Length: 2530 mm Width: 1575 mm Height: 2300 mm
Romu 14	Length: 2530 mm Width: 1975 mm Height: 2300 mm

- Mechanical nylon rollers with springs / axels in steel.
- It includes hopper to collect waste.
- It can carry-out functions such as earth elimination, leaves and small waste product before the product enters the washer.
- Option: Sprays to clean rollers at the end of a working day.
- Transmission mechanisms covered (bearings, sprockets, chains, motor, etc)

At **MARTIN MAQ** we know that you take great care of your product.

We know that this requires much effort and dedication. This is why we always place all our efforts in designing and manufacturing machines that will help you process your product efficiently, giving it the best possible finish.

We build all our machines to the highest of quality standards, making maintenance very easy and extending the machine's working life.

We have, at your disposal, an after-sales technical team that will assist you with any doubts that you may have during use and will inform you about how to care for your machine and keep maintenance as low as possible.

AFTER-SALES SERVICE

**ALWAYS REQUEST
ORIGINAL
MARTIN MAQ
SPARE PARTS**



I+D+I



FABRICACIÓN

**SERVICIO
POST VENTA**



REPUESTOS



MARTIN MAQ
Autovía A-601, Exit 91
40291 TABANERA LA LUENGA
Segovia (SPAIN)

T: +34-921-122 122
F: +34-921-57 70 88
e-mail: martinmaq@martinmaq.com
www.martinmaq.com

MARTIN MAQ Distributor:

