

DRYER SP 16R 12



M

Machinery manufactured in stainless steel following the best quality standards, providing the best finish and resistance.

M

More than 80 types of machines for processing all types of vegetables such as potatoes, carrots and fruit, unique design. Do not settle for mere copies.

A

Aadjustable in length, width and height with numerous sizes and designs to always provide the right solution to your needs.

Q

Quality, design and efficiency in all our machines to extend their working life and make your work as easy as possible.

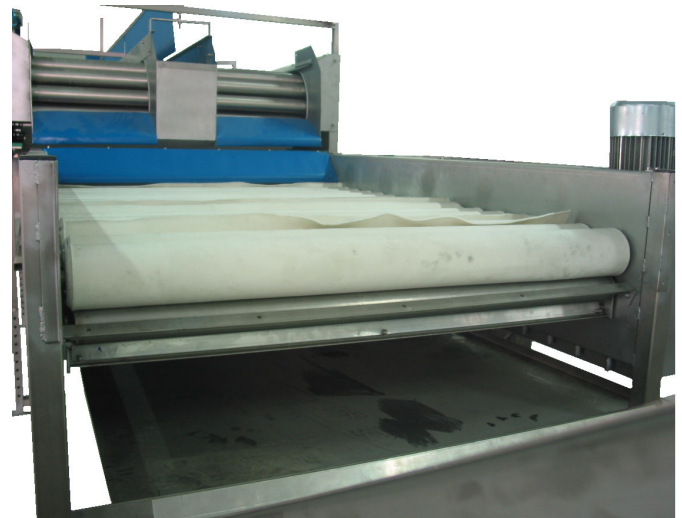


The **Martin Maq Dryer SP16R 12** is made of 16 axels specially designed to dry potatoes and similar products, with a capacity between 8 and 20 t/h.

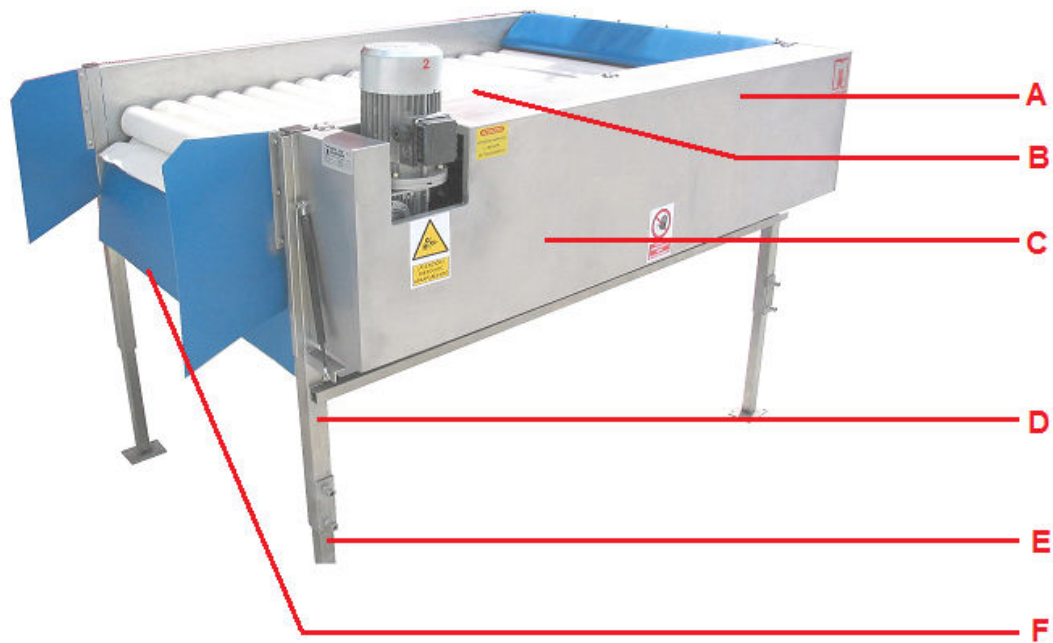
It is a very strong machine and very economical as a result of its simple design.

The function of this machine is to dry the product when leaving the washer or polisher to extend the product's shelf life.

Very low maintenance.



IMPORTANT PARTS OF THE MACHINE



A: Transmission system protected by a stainless steel cover.

B: 16 rotating drying rollers

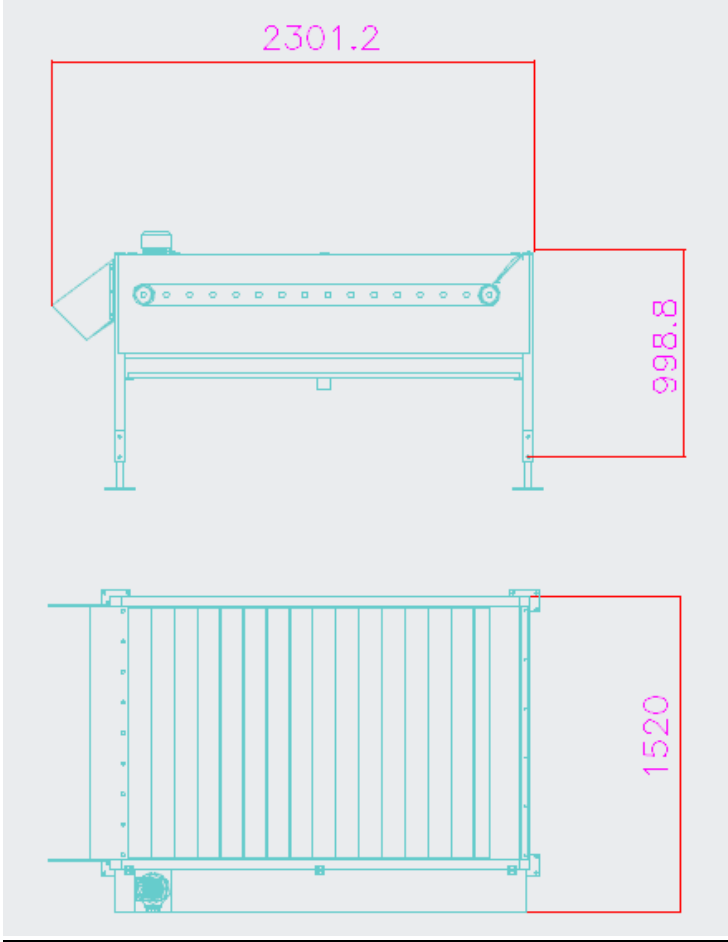
C: Inside chain transmission system.

D: Strong structure.

E: Legs adjustable in height and inclination.

F: Protection covers at entry and exit of the machine.

TECHNICAL SPECIFICATIONS

DRYER SP16R 12	L: 2.301 mm W: 1.520 mm H: 1.000 mm + legs
 <p>The technical drawing illustrates the DRYER SP16R 12 in two views. The top view shows the front of the machine with a length dimension of 2301.2 mm. The side view shows the machine's profile with a width dimension of 1520 mm and a height dimension of 998.8 mm. The machine features a horizontal roller assembly supported by a frame with adjustable legs.</p>	

- 16 drying rollers with a diameter of 120 mm.
- Capacity between 8 and 20 T/h.
- Power: 0.75 KW (very low electricity consumption)
- Chain transmission system.
- Strong, built in stainless steel.
- Adjustable legs.
- CE Marking.
- Efficient and compact design.
- Protection covers at entry and exit of the machine.
- Incorporated lower water collection tray.

At **MARTIN MAQ** we know that you take great care of your product.

We know that this requires much effort and dedication. This is why we always place all our efforts in designing and manufacturing machines that will help you process your product efficiently, giving it the best possible finish.

We build all our machines to the highest of quality standards, making maintenance very easy and extending the machine's working life.

We have, at your disposal, an after-sales technical team that will assist you with any doubts that you may have during use and will inform you about how to care for your machine and keep maintenance as low as possible.

AFTER-SALES SERVICE

**ALWAYS REQUEST
ORIGINAL
MARTIN MAQ
SPARE PARTS**



I+D+I



FABRICACIÓN

**SERVICIO
POST VENTA**



REPUESTOS



MARTIN MAQ

Autovía A-601, Exit 91
40291 TABANERA LA LUENGA
Segovia (SPAIN)

T: +34-921-122 122
F: +34-921-57 70 88
e-mail: martinmaq@martinmaq.com
www.martinmaq.com

MARTIN MAQ Distributor:

