

**ELEVATING CONVEYOR MOD. IGT WITH HOPPER**



# M

**M**achinery manufactured in stainless steel following the best quality standards, providing the best finish and resistance.

# M

**M**ore than 80 types of machines for processing all types of vegetables such as potatoes, carrots and fruit, unique design. Do not settle for mere copies.

# A

**A**adjustable in length, width and height with numerous sizes and designs to always provide the right solution to your needs.

# Q

**Q**uality, design and efficiency in all our machines to extend their working life and make your work as easy as possible.



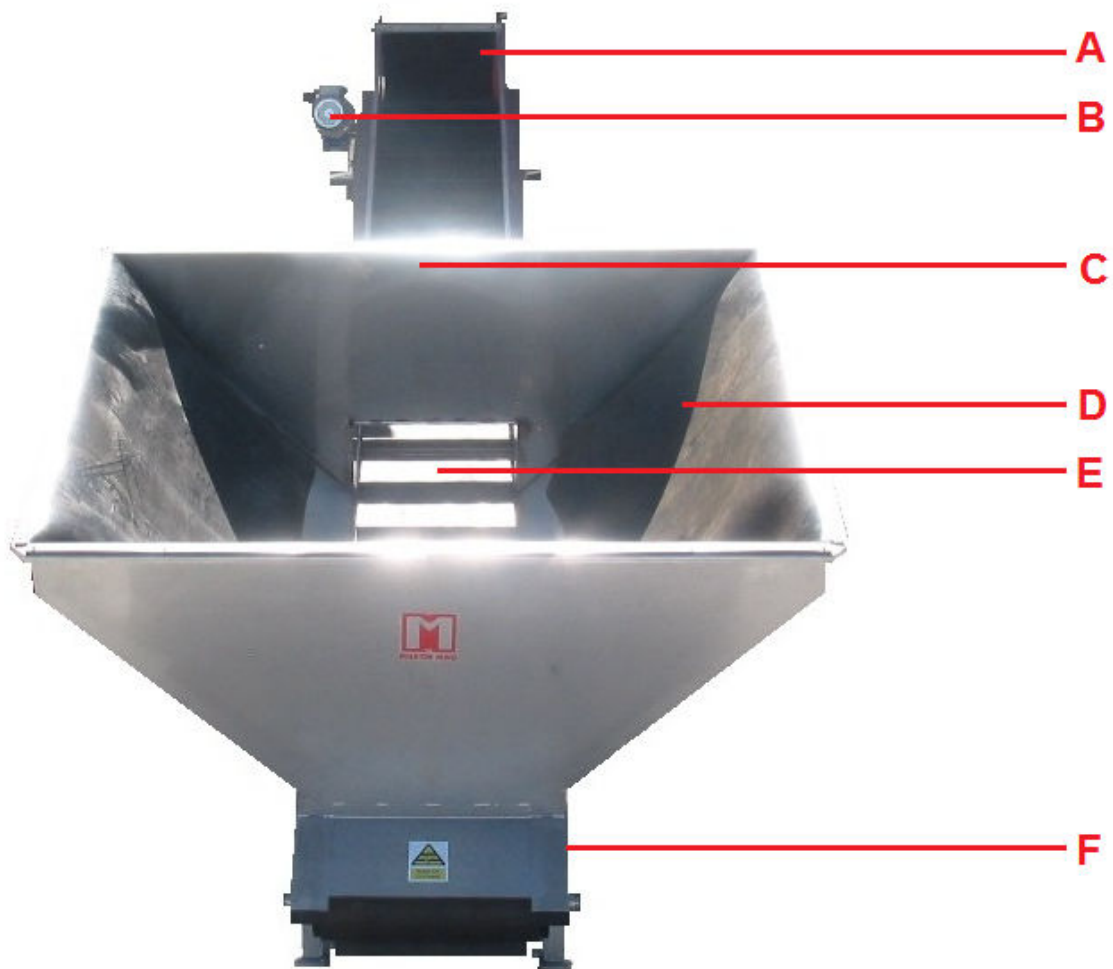
The **Martin Maq Elevating Conveyors Mod. IGN + Hopper** is designed to receive the product from boxes, fork lift trucks or directly from boxes manually.

Adequate for potatoes, carrots, turnips, etc. All the conveyors have adjustable legs (height and inclination) and are easily adaptable to any existing line. Made of stainless steel, with a capacity of up to 10 t/h.

They can carry any type of product, before or after washing and/or polishing (wet or dry). Tensors are placed at the beginning and end of the conveyors that keep the band in place.

Different sizes and lengths. The power of the motor will be adapted to different customer needs.

## IMPORTANT PARTS OF THE MACHINE



**A:** Protection cover when leaving the conveyor.

**B:** Motor (calculated for each individual case regarding power and speed required).

**C:** Reception hopper in stainless steel with a capacity of up to 500 Kg (depending on product).

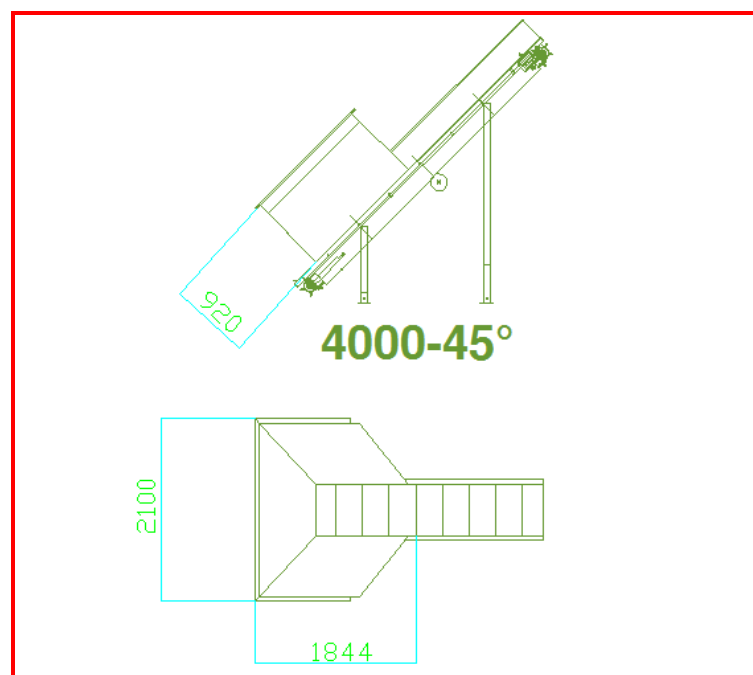
**D:** Side and back covers that protect the product when being emptied.

**E:** Rubber ribbed band (height will depend on product) adequate for any type of product, wet or dry, highly resistant and long lasting specially when the product is received with mud, etc . Tensors either side of the conveyor.

**F:** Cover to avoid product falling from conveyor.

## TECHNICAL SPECIFICATIONS

- Motor with power from 0,75 to 1,5 kW.
- Motor with speed adjuster.
- Lengths: 3, 4 y 5 m.
- Width available: 0,6 m.
- Strong, built in stainless steel.
- With ribbed rubber band 50 mm, 70 mm...).
- CE Marking.



At **MARTIN MAQ** we know that you take great care of your product.

We know that this requires much effort and dedication. This is why we always place all our efforts in designing and manufacturing machines that will help you process your product efficiently, giving it the best possible finish.

We build all our machines to the highest of quality standards, making maintenance very easy and extending the machine's working life.

We have, at your disposal, an after-sales technical team that will assist you with any doubts that you may have during use and will inform you about how to care for your machine and keep maintenance as low as possible.

## **AFTER-SALES SERVICE**

\*\*\*\*

**ALWAYS REQUEST  
ORIGINAL  
MARTIN MAQ  
SPARE PARTS**



**I+D+I**



**SERVICIO  
POST VENTA**



**FABRICACIÓN**



**REPUESTOS**



**MARTIN MAQ**  
Autovía A-601, Exit 91  
40291 TABANERA LA LUENGA  
Segovia (SPAIN)

T: +34-921-122 122  
F: +34-921-57 70 88  
e-mail: [martinmaq@martinmaq.com](mailto:martinmaq@martinmaq.com)  
[www.martinmaq.com](http://www.martinmaq.com)

**MARTIN MAQ Distributor:**

