



MARTIN MAQ®

MAQUINARIA HORTICOLA
VEGETABLE HANDLING SYSTEMS

LEAVES REMOVER MEH 813



M

Machinery manufactured in stainless steel following the best quality standards, providing the best finish and resistance.

M

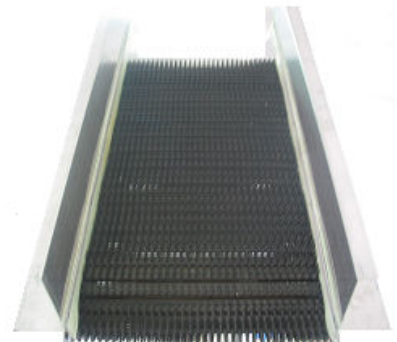
More than 80 types of machines for processing all types of vegetables such as potatoes, carrots and fruit, unique design. Do not settle for mere copies.

A

Aadjustable in length, width and height with numerous sizes and designs to always provide the right solution to your needs.

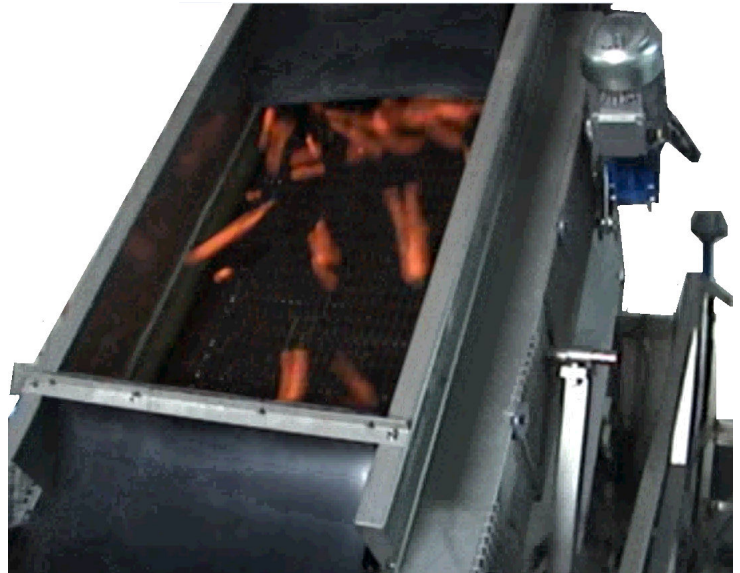
Q

Quality, design and efficiency in all our machines to extend their working life and make your work as easy as possible.



The **MARTIN MAQ Leaves remover MEH813**, is the right machine to remove leaves, roots, etc, that are already separated from the product (carrots, potatoes...), this being essential before they reach the main machines such as the washer, polisher or grader ...

It has a robust structure and is very easy to work. Capacity: 15 t/h.
It occupies very little space and can be placed at the exit side of a washer or water reception hopper.
Height and inclination can be adjusted.

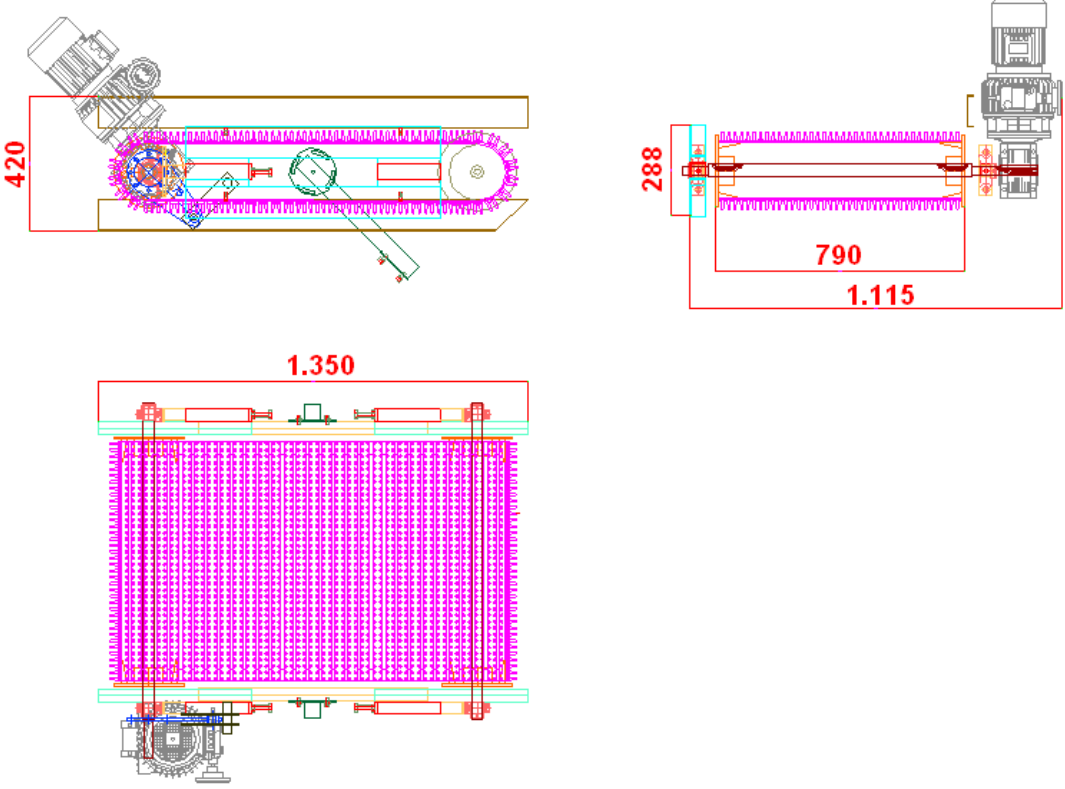


IMPORTANT PARTS OF THE MACHINE



- A:** Robust, built in stainless steel.
 - B:** Trapping system (roots, leaves, etc.)
 - C:** Protection mesh.
 - D:** Inclination adjuster, to adapt to the different products.
 - E:** Product's exit. Protection band when product falls.
 - F:** Adjustable height.
-

TECHNICAL SPECIFICATIONS

WASTE ELIMINATION SYSTEM MEH 813	Length: 1.350 mm Width: 1.115 mm Height: 420 mm
	

- Trapping system for roots, leaves, weeds or grass...
- Capacity: Up to 15 t/h.
- Motor: 0,75 Kw.
- Robust, built entirely in stainless steel.
- Adjustable height and inclination.
- CE Marking
- Compact and efficient design.

At **MARTIN MAQ** we know that you take great care of your product.

We know that this requires much effort and dedication. This is why we always place all our efforts in designing and manufacturing machines that will help you process your product efficiently, giving it the best possible finish.

We build all our machines to the highest of quality standards, making maintenance very easy and extending the machine's working life.

We have, at your disposal, an after-sales technical team that will assist you with any doubts that you may have during use and will inform you about how to care for your machine and keep maintenance as low as possible.

AFTER-SALES SERVICE

**ALWAYS REQUEST
ORIGINAL
MARTIN MAQ
SPARE PARTS**



I+D+I



FABRICACIÓN

**SERVICIO
POST VENTA**



REPUESTOS



MARTIN MAQ
Autovía A-601, Exit 91
40291 TABANERA LA LUENGA
Segovia (SPAIN)

T: +34-921-122 122
F: +34-921-57 70 88
e-mail: martinmaq@martinmaq.com
www.martinmaq.com

MARTIN MAQ Distributor:

