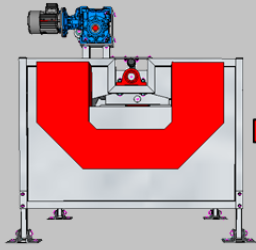


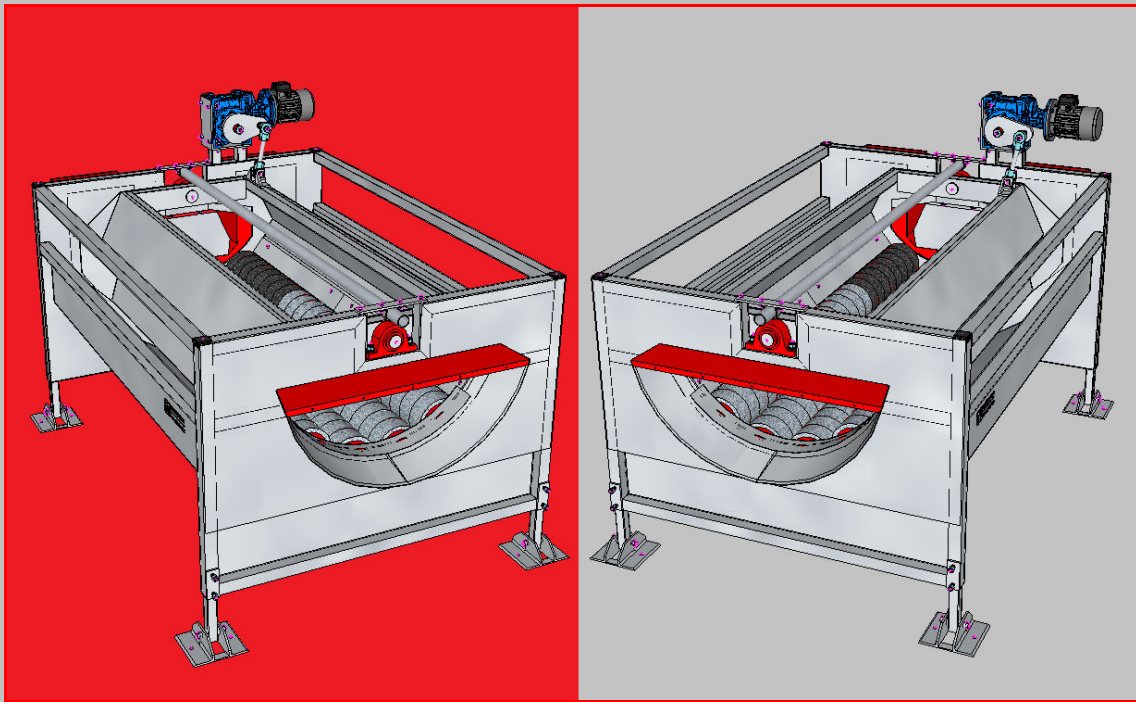


MARTIN MAQ®

MAQUINARIA HORTICOLA
VEGETABLE HANDLING SYSTEMS



- VEG ECO POLISHER LPR 420



PATENTED

ENGLISH

**POLISHER
LPR 420**

M

Machinery manufactured in stainless steel following the best quality standards, providing the best finish and resistance.

M

More than 80 types of machines for processing all types of vegetables such as potatoes, carrots and fruit, unique design. Do not settle for mere copies.

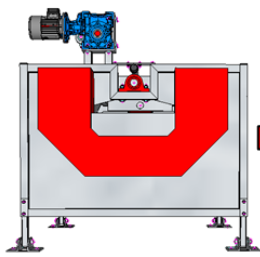
A

Aadjustable in length, width and height with numerous sizes and designs to always provide the right solution to your needs.

Q

Quality, design and efficiency in all our machines to extend their working life and make your work as easy as possible.

THE NEWEST POLISHER OF THE MARKET



- VEG ECO POLISHER LPR 420

The **MARTIN MAQ POLISHER LPR 4 20**, with a new and revolutionary system can achieve washing, brushing and/or polishing of all types of vegetables and citric fruits in a very efficient way and without causing any damage to the product.

It moves like a pendulum with a 4 brush "cradle", being the smallest and cheapest polisher of the market, designed and thought for the small processors that deserve the best machines for their lines.

This way we can obtain a much lower spending on spare parts, reduced maintenance and easier cleaning.

With a total of 10 different types of brushes that always give the **best finish to your product**.

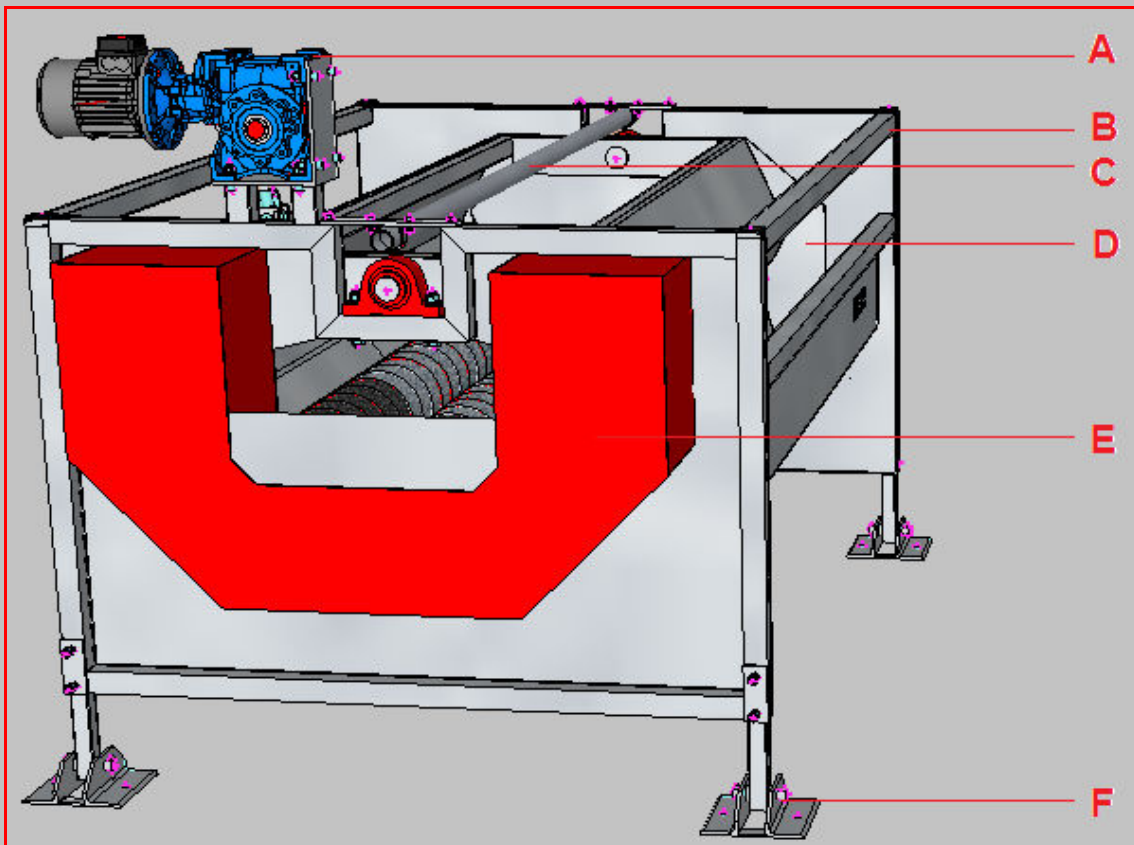


It is suitable for **CARROTS, POTATOES, PARSNIPS**, all kind of **TURNIPS, CELERY**, cítricos such us **ORANGES & LEMONS**, etc.

It is suitable for line capacities from **1 up to 5 Tons per hour**.

With the same design, high quality and effectiveness than the rest of our LPR polishers but with the appropriate size for your line.

IMPORTANT PARTS OF THE MACHINE



A: Drum motor.

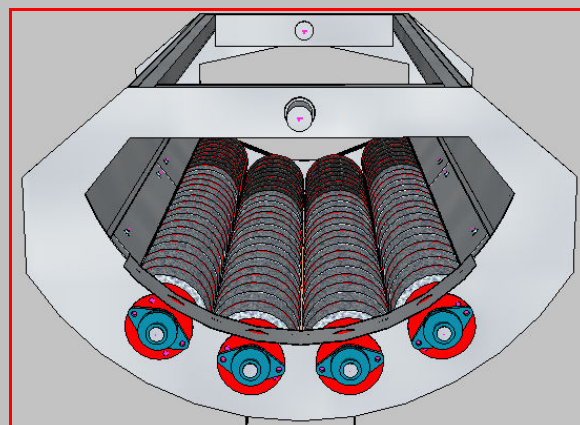
B: Stainless Steel structure.

C: Water pipe for pressure nozzles.

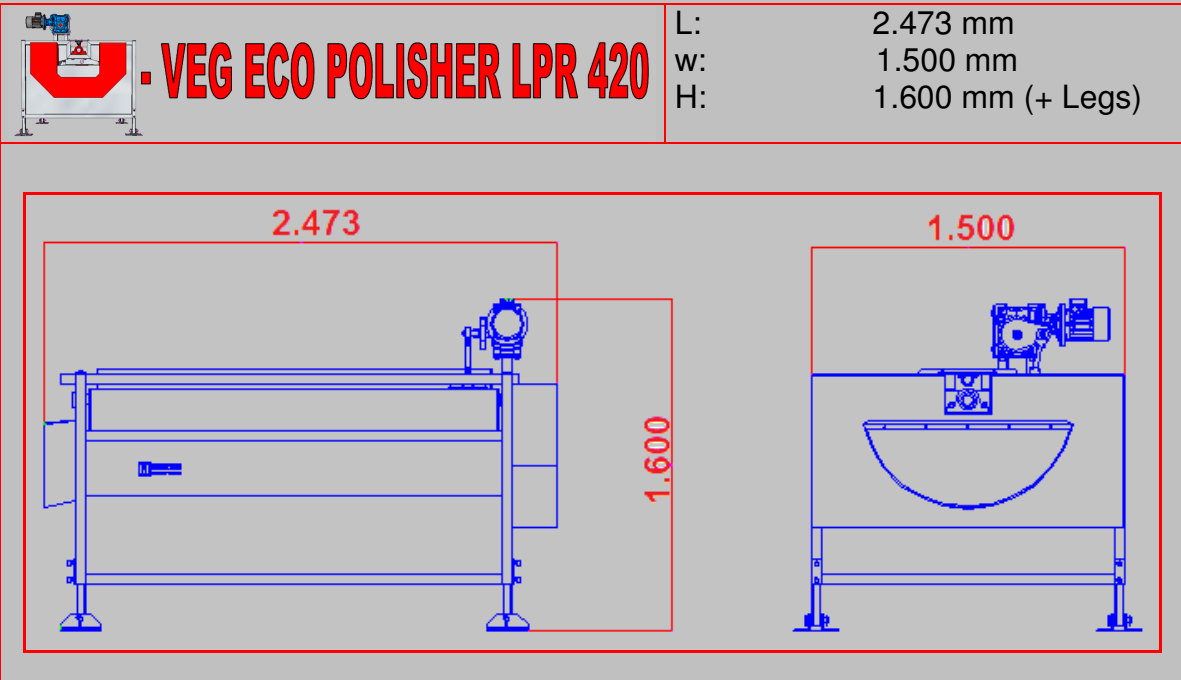
D: Polishing drum with four axles of brushes. It has two motors (one for two axles) with direct transmission between them with double high resistant belts.

E: Cover for the motors to avoid dirtiness problems. Entry Hopper integrated in this cover.

F: Adjustable legs in height and angle.



TECHNICAL SPECIFICATIONS



- **Unique “pendulum” action and brushes in “U” formation (patented)**
- Brushes designed by **MARTIN MAQ.**
- Brushing speed: adjustable – electric (optional).
- Drum turning speed: adjustable – electric (optional).
- Different brush models for different processes and products.
- Shower/Sprays circuits for washing/rinsing a product and cleaning the machine.
- Built entirely in stainless steel.
- Height: adjustable up to 1.5 m.
- **CE marking.**
- **Electric borrad included.**
- Easy access to important areas for maintenance.
- Brushes are changed without having to pull out the axel from the machine.
- **Total power : 2.4 KW.**
- Water consumption without recycling: 8 a 12 m³/h.
- Water consumption with recycling: 1 a 2 m³/h (Option: recicling water system)
- **4 brushing axles with an effective length of 1.930 mm.**
- Drum – inside diameter: 865 mm.
- Weight: 800 kg (empty)
- Output Up to 3 T/h (carrots) or 5 T/h (potatoes).
- **New design of the drum and new exit to get a continuous processing flow.**
- **The most compact polisher of the market.**

With some options such us: water recycling systems, elevating platforms and height and angle regulating systems to adapt the polisher to your line, getting always a perfect working and an optimum output.

At **MARTIN MAQ** we know that you take great care of your product.

We know that this requires much effort and dedication. This is why we always place all our efforts in designing and manufacturing machines that will help you process your product efficiently, giving it the best possible finish.

We build all our machines to the highest of quality standards, making maintenance very easy and extending the machine's working life.

We have, at your disposal, an after-sales technical team that will assist you with any doubts that you may have during use and will inform you about how to care for your machine and keep maintenance as low as possible.

AFTER-SALES SERVICE

**ALWAYS REQUEST
ORIGINAL
MARTIN MAQ
SPARE PARTS**



MARTIN MAQ
Autovía A-601, salida 91
40291 TABANERA LA LUENGA
Segovia (ESPAÑA)

T: +34 921-122 122
F: +34 921-57 70 88
e-mail: martinmaq@martinmaq.com
www.martinmaq.com

MARTIN MAQ DISTRIBUTOR

