

**SEPARATING DRUM FOR SOLIDS BSS 930**



# M

**M**achinery manufactured in stainless steel following the best quality standards, providing the best finish and resistance.

# M

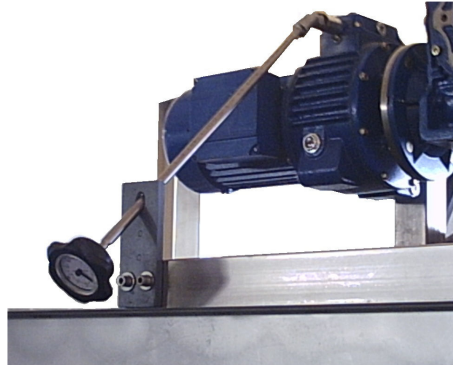
**M**ore than 80 types of machines for processing all types of vegetables such as potatoes, carrots and fruit, unique design. Do not settle for mere copies.

# A

**A**adjustable in length, width and height with numerous sizes and designs to always provide the right solution to your needs.

# Q

**Q**uality, design and efficiency in all our machines to extend their working life and make your work as easy as possible.



The **Martin Maq Separating Drum for Solids BSS 930** is designed to eliminate from water any particles of solid matter, with a dimension larger than the gaps on the drum.

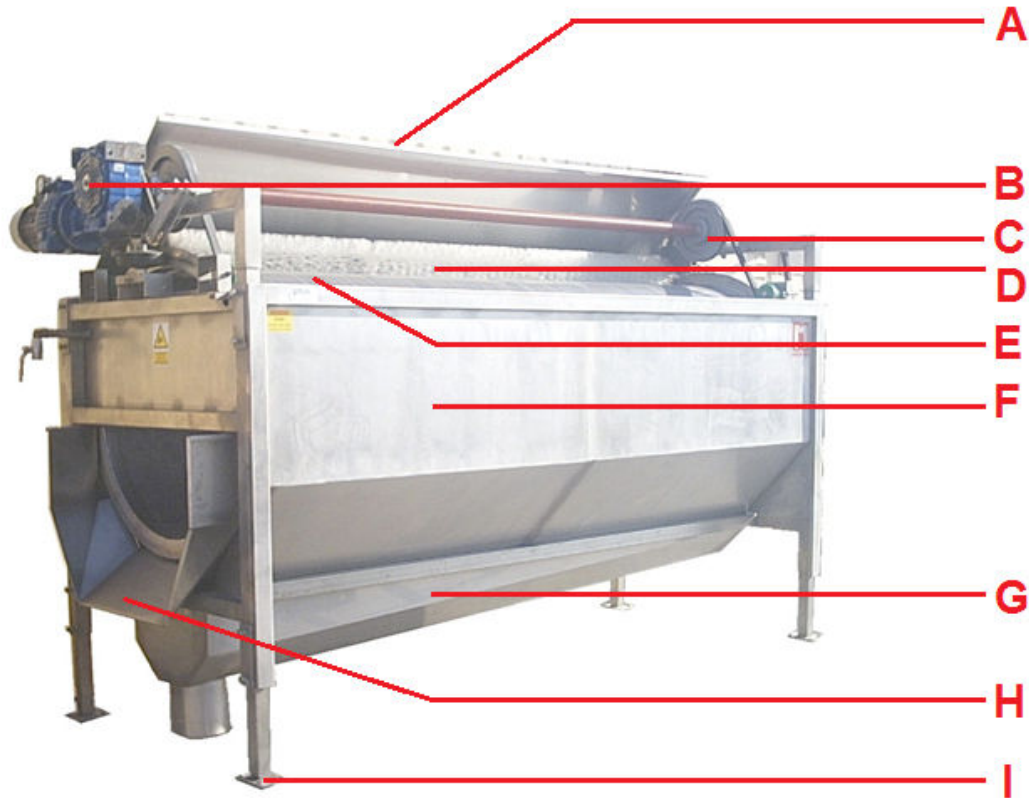
The size of the gap on the drum can vary, depending on the needs when filtering.

Appropriate for a flow between 25 to 150 m<sup>3</sup>/h.

This machine compliments the water settling tank, making together a perfect match for water recycling.



## IMPORTANT PARTS OF THE MACHINE



**A:** Cover to avoid splashing.

**B:** Motor on drum with speed adjuster.

**C:** Transmission system by belts and pulleys.

**D:** Drum cleaning brush.

**E:** Filtering rotating drum. Gaps normally size: 0.5 mm or 1 mm.

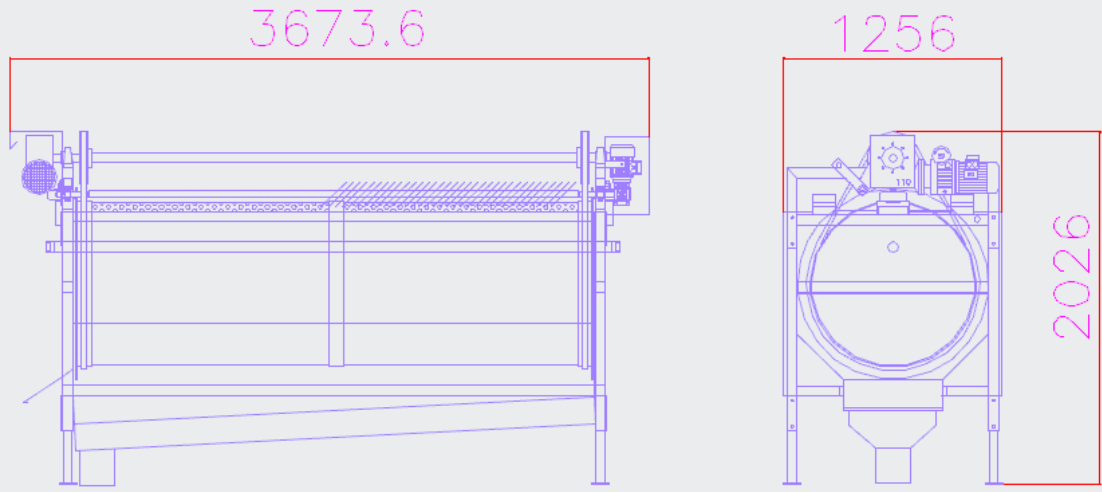
**F:** Strong, built in stainless steel.

**G:** Water collecting tray.

**H:** Exit for solids.

**I:** Adjustable legs.

## TECHNICAL SPECIFICATIONS

SEPARATING DRUM FOR SOLIDS BSS 930	Length: 3.673,6 mm Width: 1.256 mm Height: 2.026 mm
	

- Rinsing sprays.
- Capacity: between 25 and 150 m<sup>3</sup> per hour.
- Loose cover to make cleaning easy.
- Very low maintenance.
- Drum cleaning brush.
- Filtering pump: 900 \* 3.000 mm.
- Weight: 600 Kg.
- CE Marking.

At **MARTIN MAQ** we know that you take great care of your product.

We know that this requires much effort and dedication. This is why we always place all our efforts in designing and manufacturing machines that will help you process your product efficiently, giving it the best possible finish.

We build all our machines to the highest of quality standards, making maintenance very easy and extending the machine's working life.

We have, at your disposal, an after-sales technical team that will assist you with any doubts that you may have during use and will inform you about how to care for your machine and keep maintenance as low as possible.

## AFTER-SALES SERVICE

\*\*\*\*

**ALWAYS REQUEST  
ORIGINAL  
MARTIN MAQ  
SPARE PARTS**



**I+D+I**



**FABRICACIÓN**

**SERVICIO  
POST VENTA**



**REPUESTOS**



**MARTIN MAQ**  
Autovía A-601, Exit 91  
40291 TABANERA LA LUENGA  
Segovia (SPAIN)

T: +34-921-122 122  
F: +34-921-57 70 88  
e-mail: [martinmaq@martinmaq.com](mailto:martinmaq@martinmaq.com)  
[www.martinmaq.com](http://www.martinmaq.com)

MARTIN MAQ Distributor:

