

**ELIMINATION SYSTEM FOR WASTE PIECES QUIMA 1520**



# M

**M**achinery manufactured in stainless steel following the best quality standards, providing the best finish and resistance.

# M

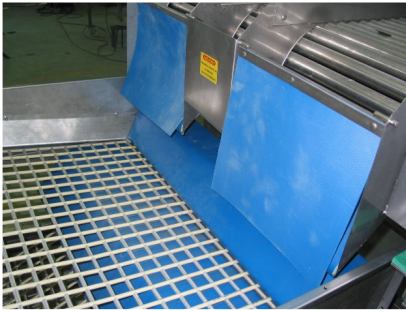
**M**ore than 80 types of machines for processing all types of vegetables such as potatoes, carrots and fruit, unique design. Do not settle for mere copies.

# A

**A**adjustable in length, width and height with numerous sizes and designs to always provide the right solution to your needs.

# Q

**Q**uality, design and efficiency in all our machines to extend their working life and make your work as easy as possible.



The **Martin Maq Elimination System for Small Pieces QUIMA 1520** takes care of disposing of all small pieces of product, leaves, weeds, etc ... before they reach the washer, polisher or grader.

With a strong structure and very easy to use, this small waste disposal system can process up to 15 t/h and eliminate practically all small waste, even the smallest (40 mm).

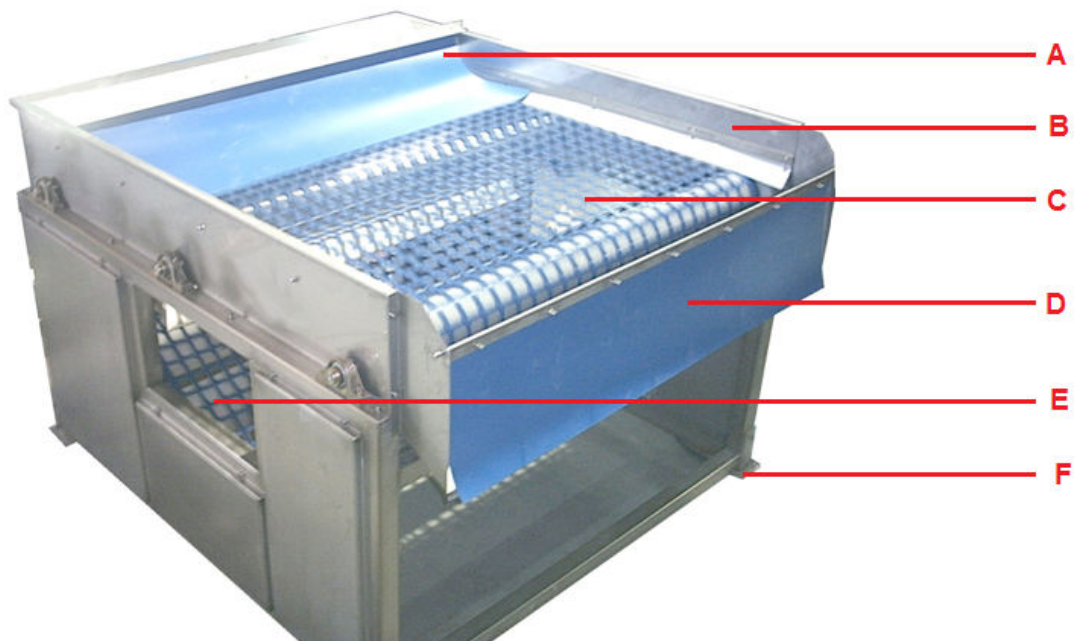
It is very small in size and can be placed without any problems within any existing line.

It is adjustable in height and inclination to be able to adapt to the different needs and type of product in a very easy way.

A conveyor can be adjusted to carry the small pieces for waste disposal.



## IMPORTANT PARTS OF THE MACHINE



**A:** Protection cover at entry.

**B:** Strong and robust, made in stainless steel.

**C:** Grading mesh with square perforation.

**D:** Exit protection cover for product.

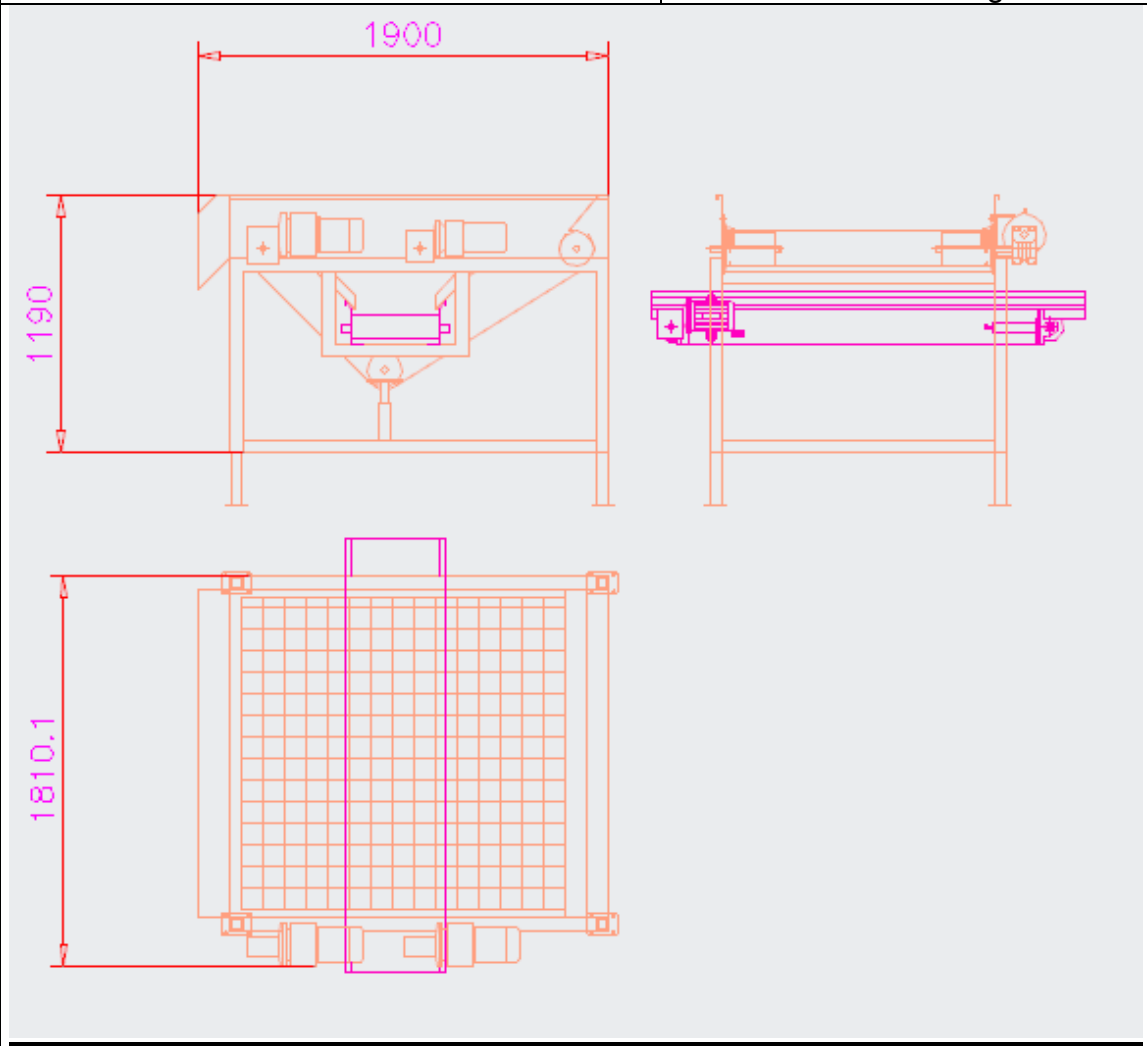
**E:** Gap / Position where a conveyor could be placed to carry small waste and pieces where chosen for each particular case.

**F:** Adjustable legs.

## TECHNICAL SPECIFICATIONS

### ELIMINATION SYSTEM FOR WASTE PIECES QUIMA 1520

L: 1.900 mm  
W: 1810.1 mm  
H: 1.190 mm + legs



- Capacity of up to 15 T/h (carrots, turnips etc.)
- Very efficient eliminating small waste and pieces (40 mm approx.)
- Very resistant long lasting mesh.
- Power: 1,1 KW.
- Adjustable in height.
- CE Marking.
- Compact and efficient design.
- The necessary conveyor can be supplied to collect small pieces (with motor of 0,37 KW)

At **MARTIN MAQ** we know that you take great care of your product.

We know that this requires much effort and dedication. This is why we always place all our efforts in designing and manufacturing machines that will help you process your product efficiently, giving it the best possible finish.

We build all our machines to the highest of quality standards, making maintenance very easy and extending the machine's working life.

We have, at your disposal, an after-sales technical team that will assist you with any doubts that you may have during use and will inform you about how to care for your machine and keep maintenance as low as possible.

## AFTER-SALES SERVICE

\*\*\*\*

**ALWAYS REQUEST  
ORIGINAL  
MARTIN MAQ  
SPARE PARTS**



**I+D+I**



**FABRICACIÓN**

**SERVICIO  
POST VENTA**



**REPUESTOS**



### **MARTIN MAQ**

Autovía A-601, Exit 91  
40291 TABANERA LA LUENGA  
Segovia (SPAIN)

T: +34-921-122 122

F: +34-921-57 70 88

e-mail: [martinmaq@martinmaq.com](mailto:martinmaq@martinmaq.com)

[www.martinmaq.com](http://www.martinmaq.com)

MARTIN MAQ Distributor:

