

ELIMINATION SYSTEM FOR EARTH ROMU 9 P



M

Machinery manufactured in stainless steel following the best quality standards, providing the best finish and resistance.

M

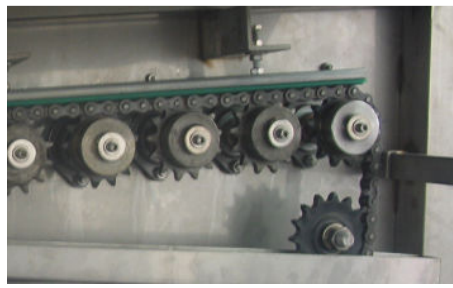
More than 80 types of machines for processing all types of vegetables such as potatoes, carrots and fruit, unique design. Do not settle for mere copies.

A

Aadjustable in length, width and height with numerous sizes and designs to always provide the right solution to your needs.

Q

Quality, design and efficiency in all our machines to extend their working life and make your work as easy as possible.



The **Martin Maq Elimination System for Earth ROMU 9P** is a machine that will dispose of earth on the product when it arrives from the field (potatoes, etc).

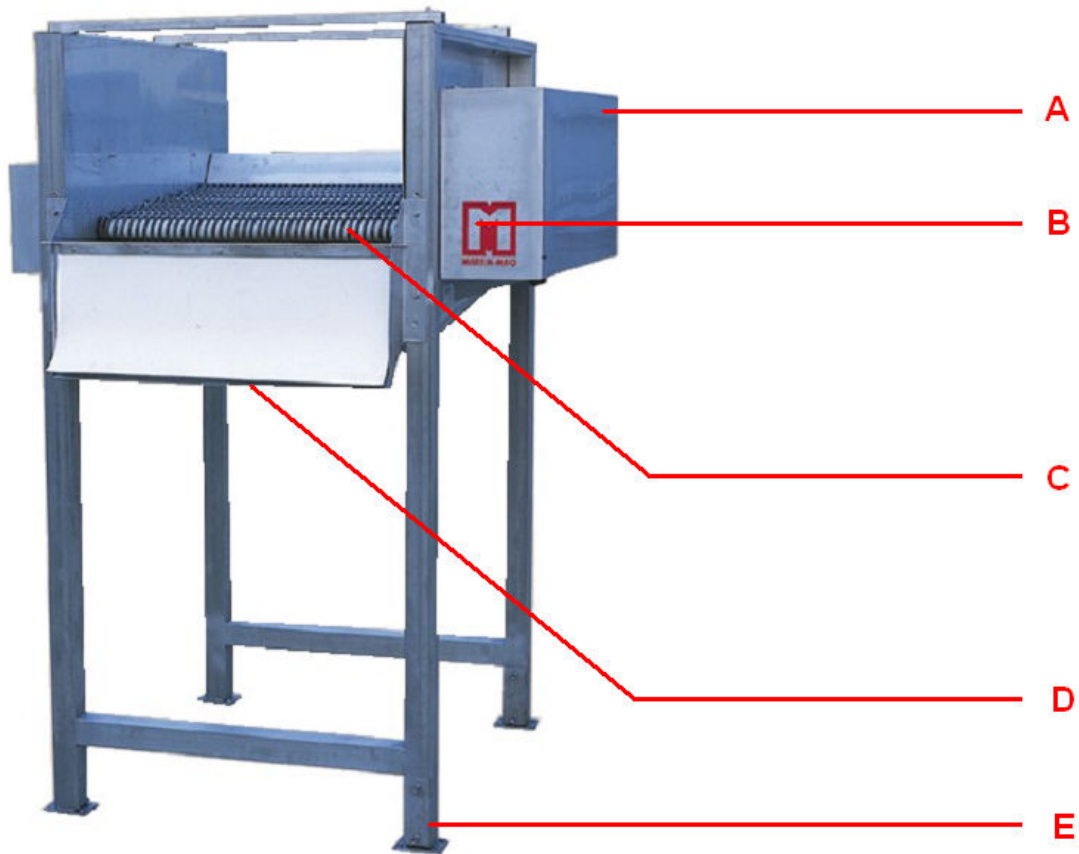
It is highly efficient when disposing of earth, without harming the product in any way.

It is very resistant (stainless steel) and has very low maintenance.

It can be supplied with a conveyor for collection of waste to dispose of it.



IMPORTANT PARTS OF THE MACHINE



- A:** Maintenance and protection of transmission system lock-gate.
- B:** Pinions and chain transmission system.
- C:** Rollers with spiral shape to eliminate complete the earth.
- D:** Tolva inferior de recogida de tierra (opcional)
- E:** Adjustable legs.

TECHNICAL SPECIFICATIONS

ELIMINATION SYSTEM FOR EARTH ROMU 9P	L:	2530 mm
	W	1575 mm
	H:	2300 mm

- Nylon rollers with springs with stainless steel axels without welding.
- It includes hopper to collect waste and dirt.
- It carries out functions such as elimination of earth, leaves and small product, before reaching the washer.
- Water sprays for final rinse (optional)
- All mechanisms are watertight.

At **MARTIN MAQ** we know that you take great care of your product.

We know that this requires much effort and dedication. This is why we always place all our efforts in designing and manufacturing machines that will help you process your product efficiently, giving it the best possible finish.

We build all our machines to the highest of quality standards, making maintenance very easy and extending the machine's working life.

We have, at your disposal, an after-sales technical team that will assist you with any doubts that you may have during use and will inform you about how to care for your machine and keep maintenance as low as possible.

AFTER-SALES SERVICE

**ALWAYS REQUEST
ORIGINAL
MARTIN MAQ
SPARE PARTS**



I+D+I



FABRICACIÓN

**SERVICIO
POST VENTA**



REPUESTOS



MARTIN MAQ
Autovía A-601, Exit 91
40291 TABANERA LA LUENGA
Segovia (SPAIN)

T: +34-921-122 122
F: +34-921-57 70 88
e-mail: martinmaq@martinmaq.com
www.martinmaq.com

MARTIN MAQ Distributor:

