

**WATER RECOVERY TANK DERE 2010**



# M

**M**achinery manufactured in stainless steel following the best quality standards, providing the best finish and resistance.

# M

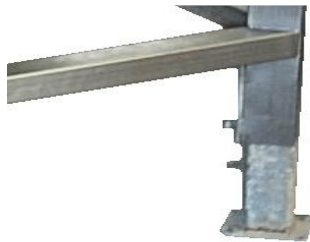
**M**ore than 80 types of machines for processing all types of vegetables such as potatoes, carrots and fruit, unique design. Do not settle for mere copies.

# A

**A**adjustable in length, width and height with numerous sizes and designs to always provide the right solution to your needs.

# Q

**Q**uality, design and efficiency in all our machines to extend their working life and make your work as easy as possible.



The **Martin Maq Water Recovery Tank DERE 1014** is used to accumulate water from the washer, polisher, etc .-

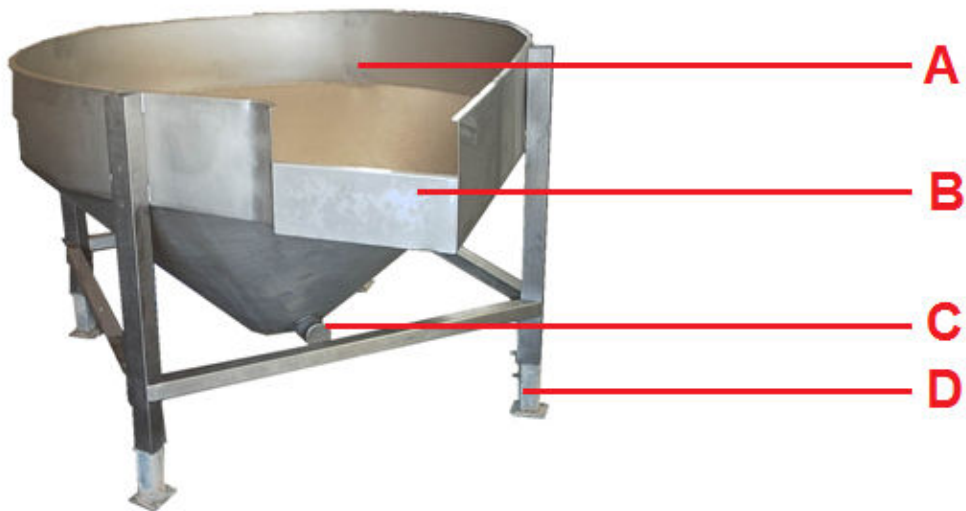
It is designed to settle the mud towards the bottom of the tank.

The size of this deposit allows for a water pump to be installed inside to move the water. At the same time, the mud can be disposed off easily from the bottom of the tank.

Built entirely in stainless steel, with different filter sizes.



## IMPORTANT PARTS OF THE MACHINE



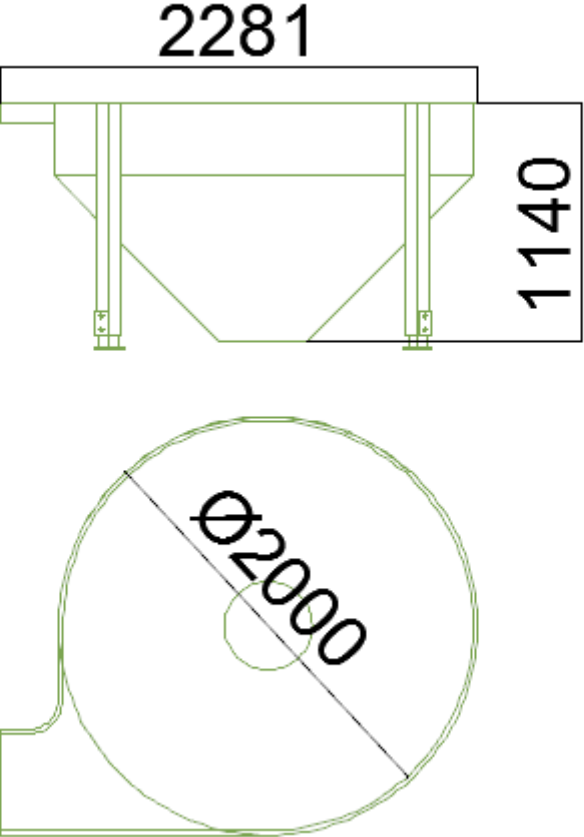
**A:** Stainless steel deposit.

**B:** Water exit.

**C:** Exit to empty deposit.

**D:** Adjustable legs.

## TECHNICAL SPECIFICATIONS

WATER RECOVERY TANK DERE 2010	Length: 2.281 mm Width: 2.000 mm Height: 1.140 mm
	

- No motors at all.
- Water deposit with a capacity of 1.5 m<sup>3</sup>.
- Very low maintenance.
- Weight: 290 Kg.
- CE Marking
- Optional exit.
- Optional water release pump.

At **MARTIN MAQ** we know that you take great care of your product.

We know that this requires much effort and dedication. This is why we always place all our efforts in designing and manufacturing machines that will help you process your product efficiently, giving it the best possible finish.

We build all our machines to the highest of quality standards, making maintenance very easy and extending the machine's working life.

We have, at your disposal, an after-sales technical team that will assist you with any doubts that you may have during use and will inform you about how to care for your machine and keep maintenance as low as possible.

## AFTER-SALES SERVICE

\*\*\*\*

**ALWAYS REQUEST  
ORIGINAL  
MARTIN MAQ  
SPARE PARTS**



**I+D+I**



**FABRICACIÓN**

**SERVICIO  
POST VENTA**



**REPUESTOS**



**MARTIN MAQ**  
Autovía A-601, Exit 91  
40291 TABANERA LA LUENGA  
Segovia (SPAIN)

T: +34-921-122 122  
F: +34-921-57 70 88  
e-mail: [martinmaq@martinmaq.com](mailto:martinmaq@martinmaq.com)  
[www.martinmaq.com](http://www.martinmaq.com)

MARTIN MAQ Distributor:

